

Panaray® 502® A



Key Features

- **Articulated Array® design** provides wide 120° x 70° pattern optimized for smooth band to band coverage
- **Five Bose® 4.5" (114 mm)** full-range drivers for unsurpassed natural sound quality. Elimination of tweeters and crossover provides lifelike vocal and instrument reinforcement
- **Mid/high configuration** allows bass management and design flexibility. Use with the Panaray 502® B loudspeaker, or the MB4, MB12 or MB24 modular base loudspeakers for full-range reinforcement
- **See elegant design** for architectural compatibility. Modular components for system design flexibility
- **Full line of Bose designed accessories** for easy installation
- **See Bose active equalization** for best performance

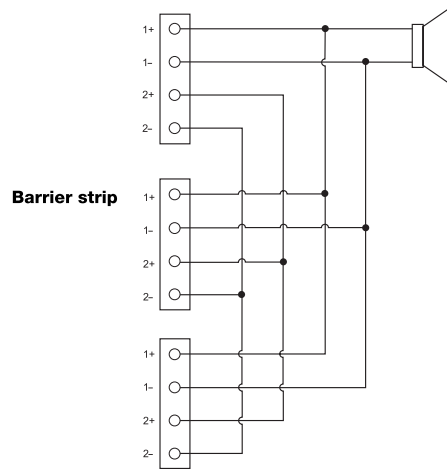


TECHNICAL DATA SHEET

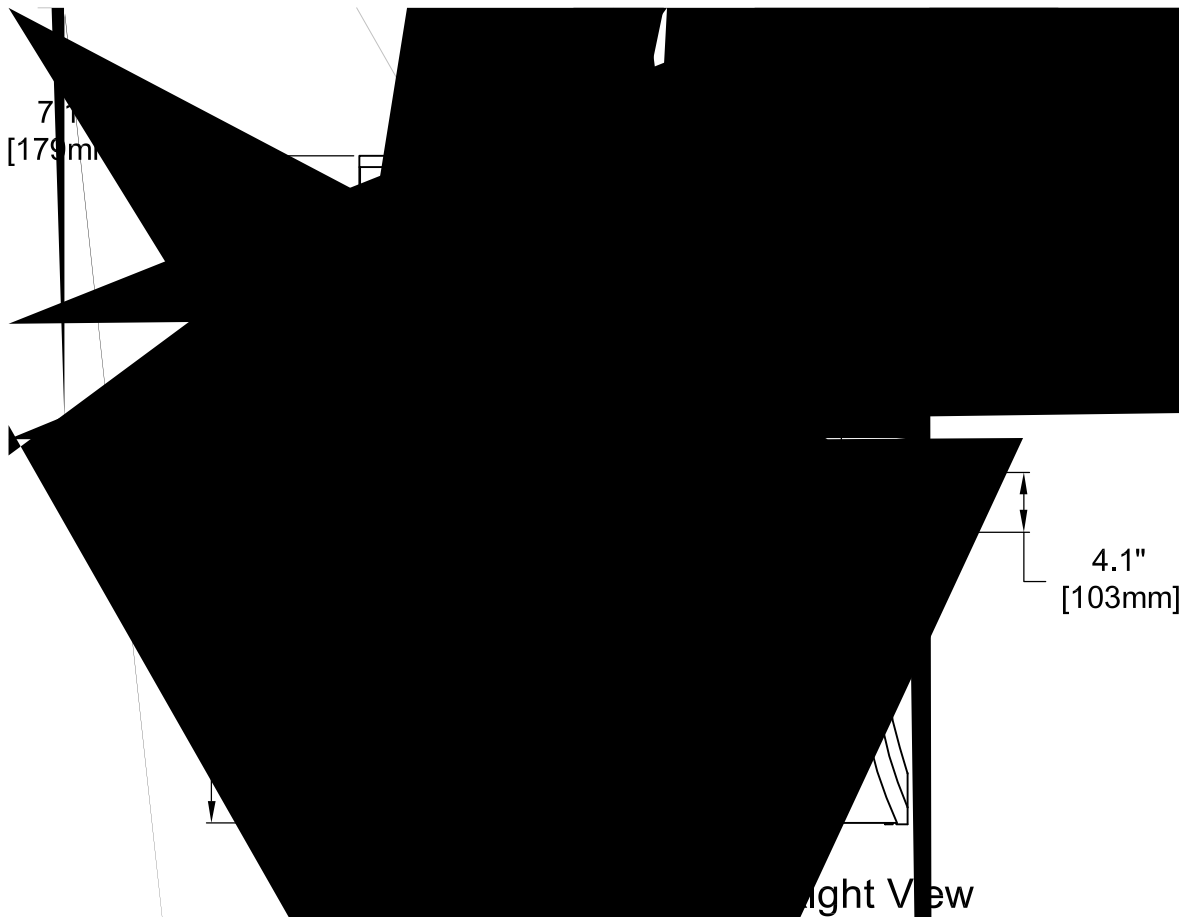
Product Overview

The Bose® Panaray® 502® A is a professional loudspeaker designed for high-fidelity sound reproduction in a variety of applications.

iring iagram



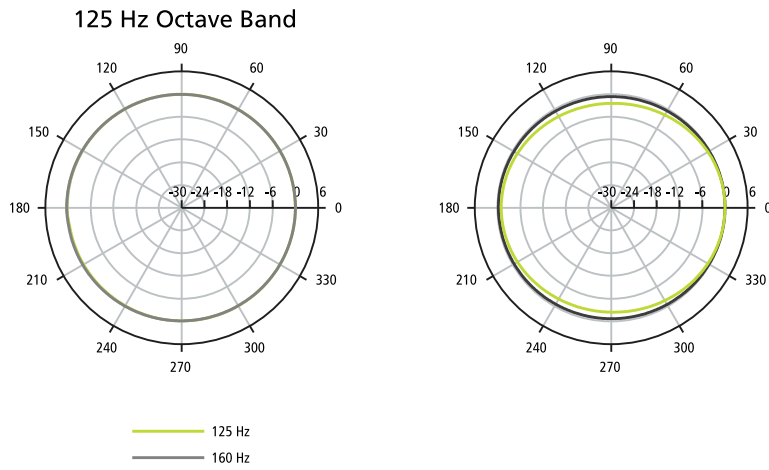
Mechanical iagrams



anaray[®] 5 [®] A
louds ea er

BOSE[®]

ertical lots



Architects and engineers specifications

The mid-to-high-frequency device shall be a multiple-driver system with matched active equalization as follows:

The transducer complement shall consist of five (5) high-sensitivity drivers of 4.5 inches (114 mm) diameter, mounted vertically on a single baffle assembly such that directional characteristics are optimized for smooth response.

The input connector, located on the rear of the array enclosure, shall consist of two parallel-wired NL4 Neutrik[®] Speakon[®] connectors and two parallel-wired barrier strips.

The array enclosure shall be composed of copolymer materials, with outer dimensions of 23.8" x 5.8" x 7.1" (603 mm x 146 mm x 179 mm); its weight shall be 15 lb (6.8 kg).

The array maximum continuous acoustic output shall be 112 dB SPL from 150 Hz to 17 kHz, with measurements referenced to full-bandwidth pink-noise input at 1 meter at the array's rated power. Its power-handling capacity shall be 150 watts continuous referenced to IEC noise for 100 hours. The nominal horizontal beamwidth shall be 120 degrees. The nominal vertical beamwidth shall be 70 degrees.

The loudspeaker shall be the Bose[®] Panaray[®] 502[®] A loudspeaker.