

# RoomMatch® Utility RMU108

## small-format under-balcony fill loudspeaker



### Key Features

**Award-winning RoomMatch sound** – now in smaller, 2-way, point-source designs for high-level foreground music, under-balcony, zone-fill and vocal-range floor monitor applications

**Bose EMB2 compression driver** – for lower distortion and improved vocal clarity compared to conventional foreground/fill models; also provides consistent mid/high sonic character compared to that of RoomMatch full-range and other RoomMatch Utility models

**90° x 60° constant-directivity high-frequency horn** – gives wide, even coverage and may be rotated in enclosure

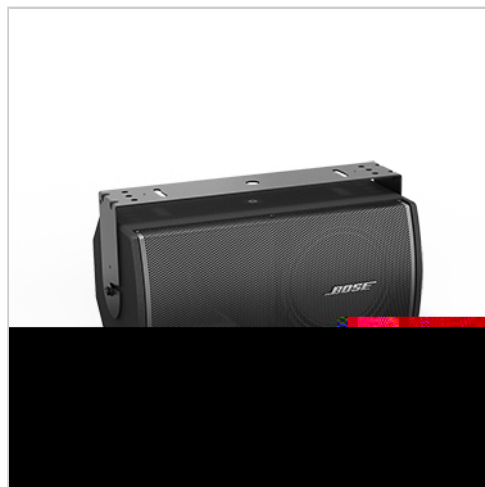
**1 x Bose LF8 8-inch woofers** – with 2.0-inch long-excursion voice coil extends response to 80 Hz for lowest vocal range

**80 Hz – 16 kHz frequency response and 121 dB maximum peak SPL** – deliver the performance required for most demanding applications

**Flexible mounting with included U-bracket** – rear enclosure panel also includes 4 x M8 threaded inserts in 5.0" x 2.75" (127mm x 70mm) pattern to accept third-party accessory mounting brackets

### Product Overview

The RoomMatch Utility RMU108 small-format sound reinforcement loudspeaker is intended for use in high-quality foreground music, under-balcony, zone fill and vocal-range floor monitor applications. The design features a single Bose® EMB2 compression driver to provide mid/high frequency voicing similar to that of RoomMatch full-range array modules and all RoomMatch Utility models. A single 8-inch woofer provides full-range output and a multi-angle enclosure with rotatable high-frequency waveguide increases mounting flexibility.



TECHNICAL DATA SHEET

### Technical Specifications

System Performance		
Frequency Response (+/-3 dB) <sup>1</sup>	90 Hz - 16 kHz	
Frequency Range (-10 dB)	0 Hz - 16 kHz	
Recommended High-Pass Filter	0 Hz to maximum 1 -dB/octave filter	
Recommended Protection Filter	None	
Horizontal Coverage Pattern (Horizontal)	90° x 60° (rotatable high-frequency horn)	
Horizontal Coverage Type	passive (1 kHz crossover frequency)	
Power Handling - Continuous	Bose extended-frequency test	SPL transducer test
	00	0
Power Handling - Peak	00	1000
Sensitivity (SP / 1 m)	91 dB	91 dB
Uncovered Area - 1 m <sup>3</sup>	11 dB	11 dB
Uncovered Area - 1 m <sup>3</sup> peak	10 dB	11 dB
Transducers		
High Frequency	1 Bose EMB2 compression driver (1-inch diameter)	
Low Frequency	1 Bose LF8 8-inch woofer (8-inch diameter)	
Impedance	16 ohms	
Physical		
Finish	Powder-coated steel	
Material	1.5 mm perforated steel powder-coated finish	
Mounting	Indoor use only	
Connectors	Indoor use only	
Suspension / Mounting	Threaded inserts (1 each side) for bracket / Threaded inserts on rear surface (1 1/2" diameter - 1/2" pattern)	
Weight	15.5 lbs (7.0 kg) / 16.5 lbs (7.5 kg) with bracket	
Shipping Weight	18 lbs (8.2 kg)	
Product Code		
Basic	6339-0110	
Complete	6339-010	

**Footnotes:**

- 1 Frequency response and range measured on-axis with passive crossover in an anechoic environment.
- 2 Sensitivity measured in half-space boundary conditions with passive EQ, referenced to 1W/m.
- 3 Maximum SPL calculated from sensitivity and power handling specifications, exclusive of power compression.
- 4 Bose extended-lifecycle test using pink noise filtered to meet IEC268-5, 6-dB crest factor, 500-hour duration.
- 5 AES standard 2-hour duration with IEC system noise.

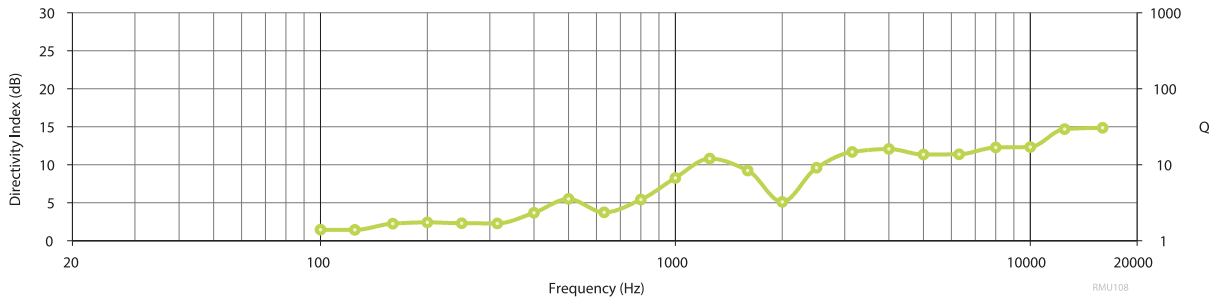
# RoomMatch® Utility RMU108

small-format under-balcony fill loudspeaker



TECHNICAL DATA SHEET

## Directivity Index and Q



## Beamwidth

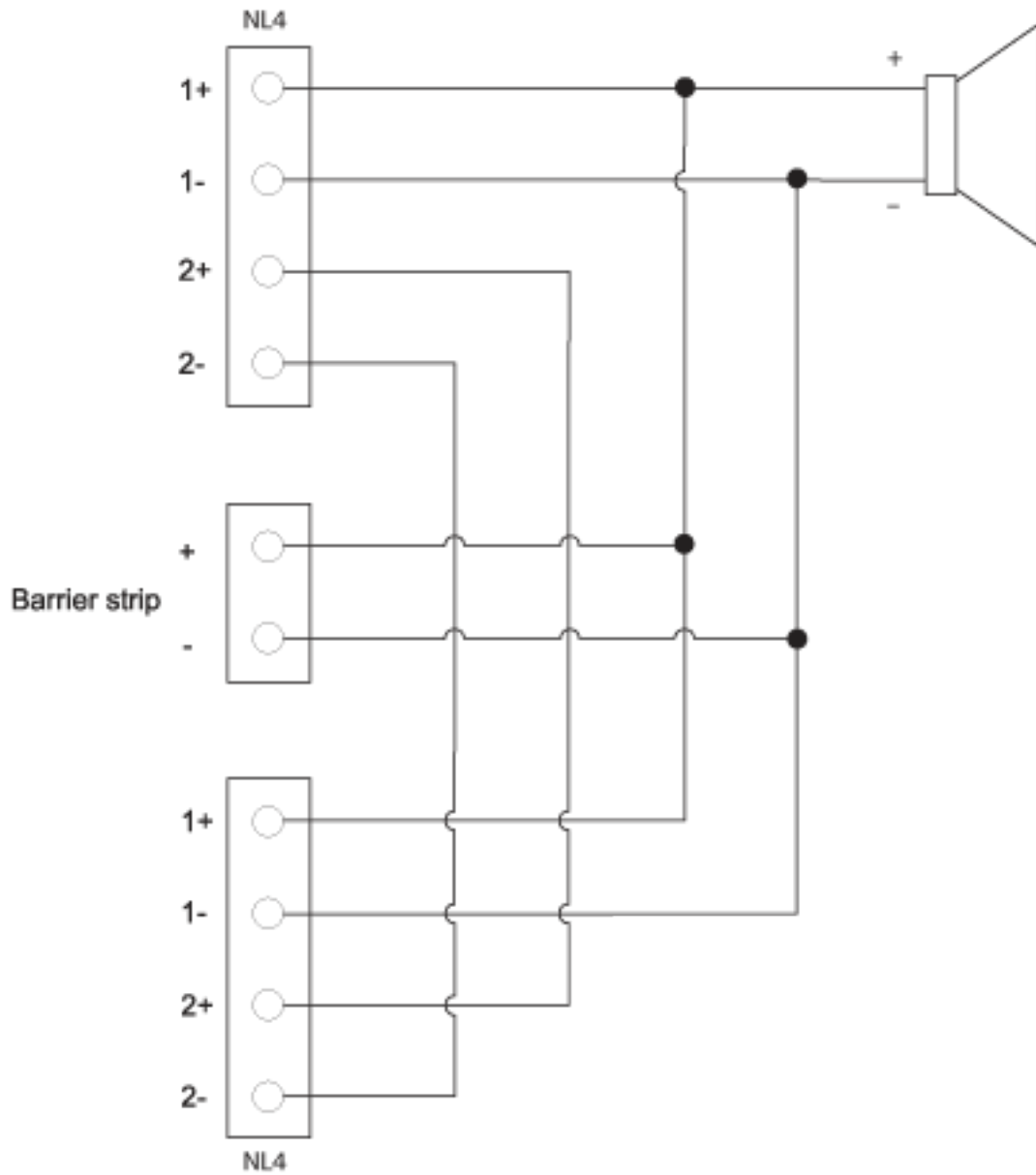


# RoomMatch® Utility RMU108

small-format under-balcony fill loudspeaker



## Wiring Diagram



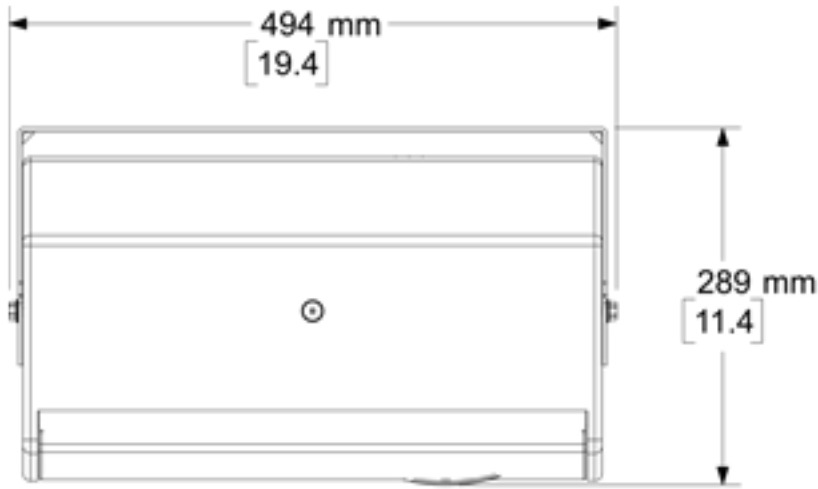
TECHNICAL DATA SHEET

# RoomMatch® Utility RMU108

small-format under-balcony fill loudspeaker



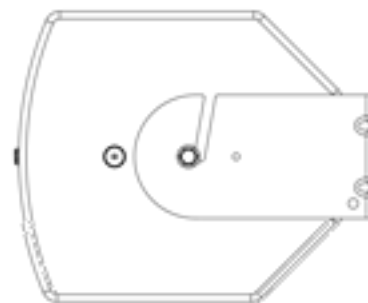
## Mechanical Diagrams



Top View



Front View



Right View

TECHNICAL DATA SHEET

# RoomMatch® Utility RMU108

small-format under-balcony fill loudspeaker



## Horizontal Plots

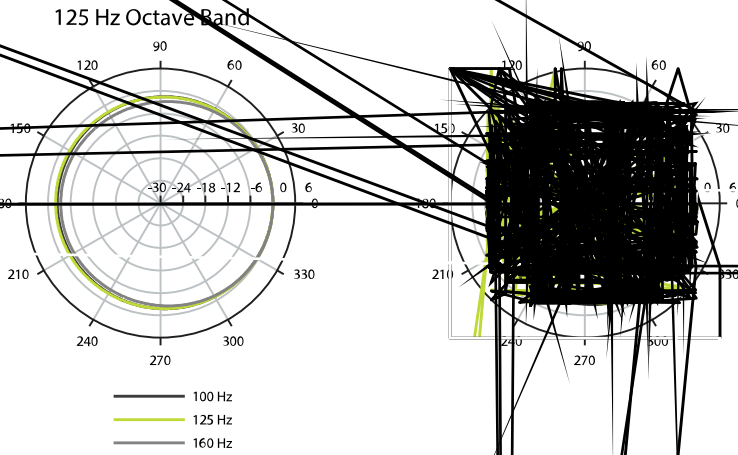
TECHNICAL DATA SHEET

# RoomMatch® Utility RMU108

small-format under-balcony fill loudspeaker



## Vertical Plots



TECHNICAL DATA SHEET

**RoomMatch® Utility RMU108**  
small-format under-balcony fill loudspeaker

